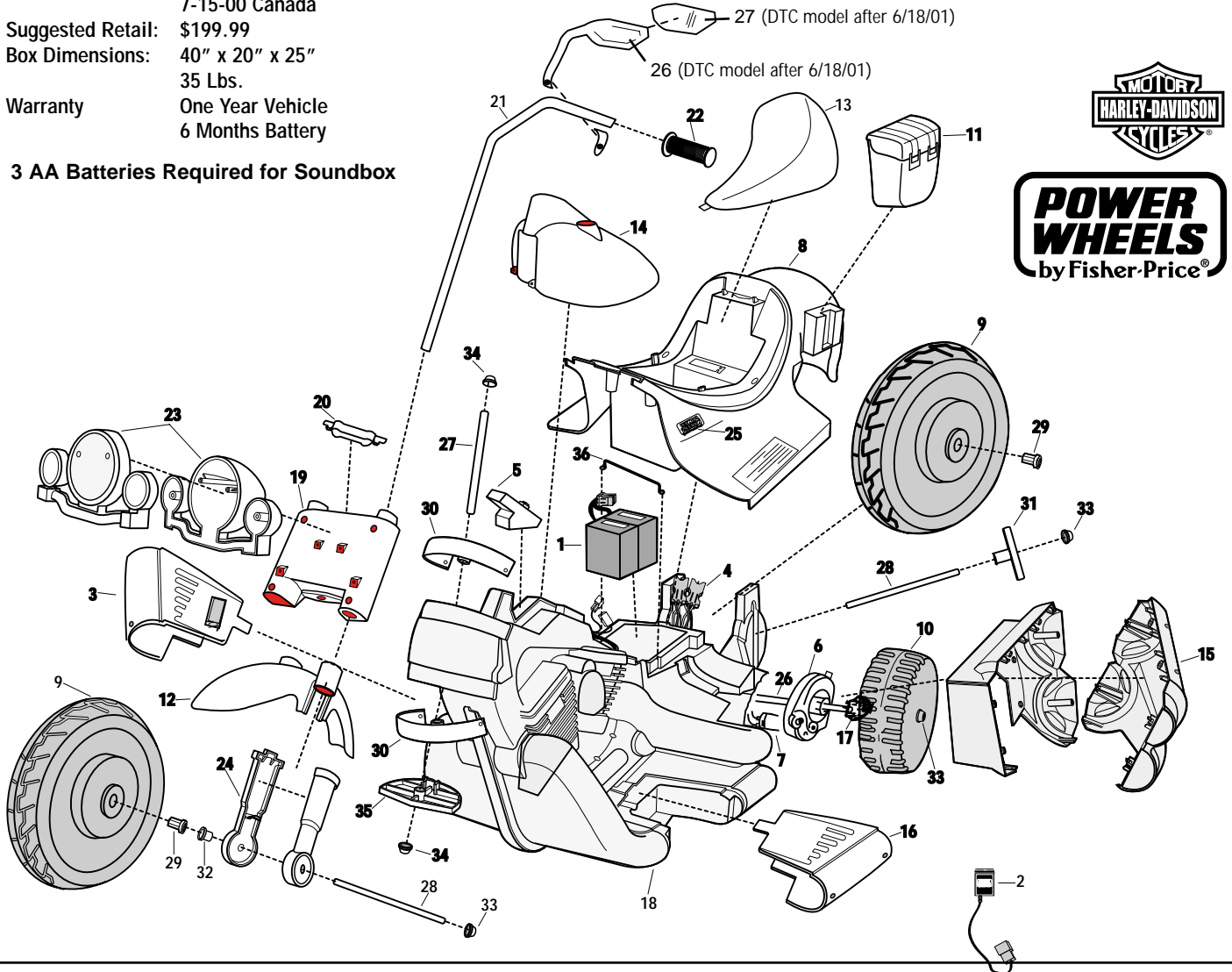


74370-9993 Harley Davidson Motorcycles made before 3/6/02

Age Range: 3-7 Yrs.
 Weight Limit: 65 Lbs.
 Surfaces: Grass & Hard
 Speed: 2.5 / 5.0 MPH Forward
 2.5 MPH Reverse
 Colors: Pink Body
 Flame Trim
 Intro: 5-29-00 U.S.
 7-15-00 Canada
 Suggested Retail: \$199.99
 Box Dimensions: 40" x 20" x 25"
 35 Lbs.
 Warranty: One Year Vehicle
 6 Months Battery

74370-9993 Barbie Harley Davidson® Motorcycle Advanced Series Non H.E. 12 Volt



Item No.	Description	Part No.	Qty.	Item No.	Description	Part No.	Qty.	Item No.	Description	Part No.	Qty.
Working / Electrical Parts											
1	6 Volt Battery	00801-0712	2	16	Footboard / Left	74370-2249	1	30	Bushing (steering)	74370-2359	2
2	12V Charger	00801-0973	1	17	Driver	73233-2239	2	31	Bushing (axle/silver)	74370-2379	2
3	Right Footboard w/switch	74370-9239	1	18	Frame (incl. L & R sides)	74370-9219	1	32	Bushing (round/black)	74550-2689	2
4	Wiring Harness Assembly	74290-9799	1	19	Fork (upper)	74370-2349	1	33	.437 Cap Nut	0801-0226	6
5	Soundbox	74290-9559	1	20	Fork Cover	74370-2389	1	34	.345 Cap Nut	0801-0215	3
6	#7 Motor Gearbox Assm.	74290-9509	2	21	Handlebar Set (banded)	74370-9029	1	35	Steering Stop	74370-2369	1
7	Motor w/Pinion	74290-9539	2	22	Handgrip	74370-2399	2	36	Battery Retainer	74290-4419	1
Plastic / Other Parts											
8	Body (N/A)	74370-2109	1	23	Headlight Assembly	74370-9289	1	Parts Not Shown			
9	Large Wheel	74290-2159	2	24	Shock Set (banded)	74370-9329	1	Decal Sheet	74370-0310		1
10	Drive Wheel (Small)	74290-2269	2	25	PW Emblem	74460-9069	2	Literature Bag	74370-9019		1
11	Saddle Bag	74370-2129	2	26	Mirror Left (DTC model only after 6/18/01)	75209-2449	1	Owner's Manual	74370-0920		1
12	Front Fender	74370-213A	1	27	Lens Set (DTC model only after 6/18/01)	75209-2459	1	Small Parts Bag	74370-9139		1
13	Seat	74290-2309	1	Hardware / Metal Parts							
14	Gas Tank	74370-214A	1	26	Axle (drive wheel)	74290-4509	1	Hardware Bag	74370-9279		1
15	Exhaust Set (banded)	74370-9169	1	27	Axle (fork)	74290-4529	1	Large Parts Bag	74370-9249		1
				28	Axle (wheel)	74290-4519	2	Control Switch (Forward/Reverse)	00801-0885		2
				29	Bushing (hex)	73233-2559	4	3/4" Plastite Screw	0912-8001		55
								Footswitch	00801-0933		
								Mirror Right (DTC model only after 6/18/01)	75209-2469		1

Items in **bold & underlined** print are only to be ordered by a service center.

N/A = Not Available

Rev. 06-06-02 Pav