



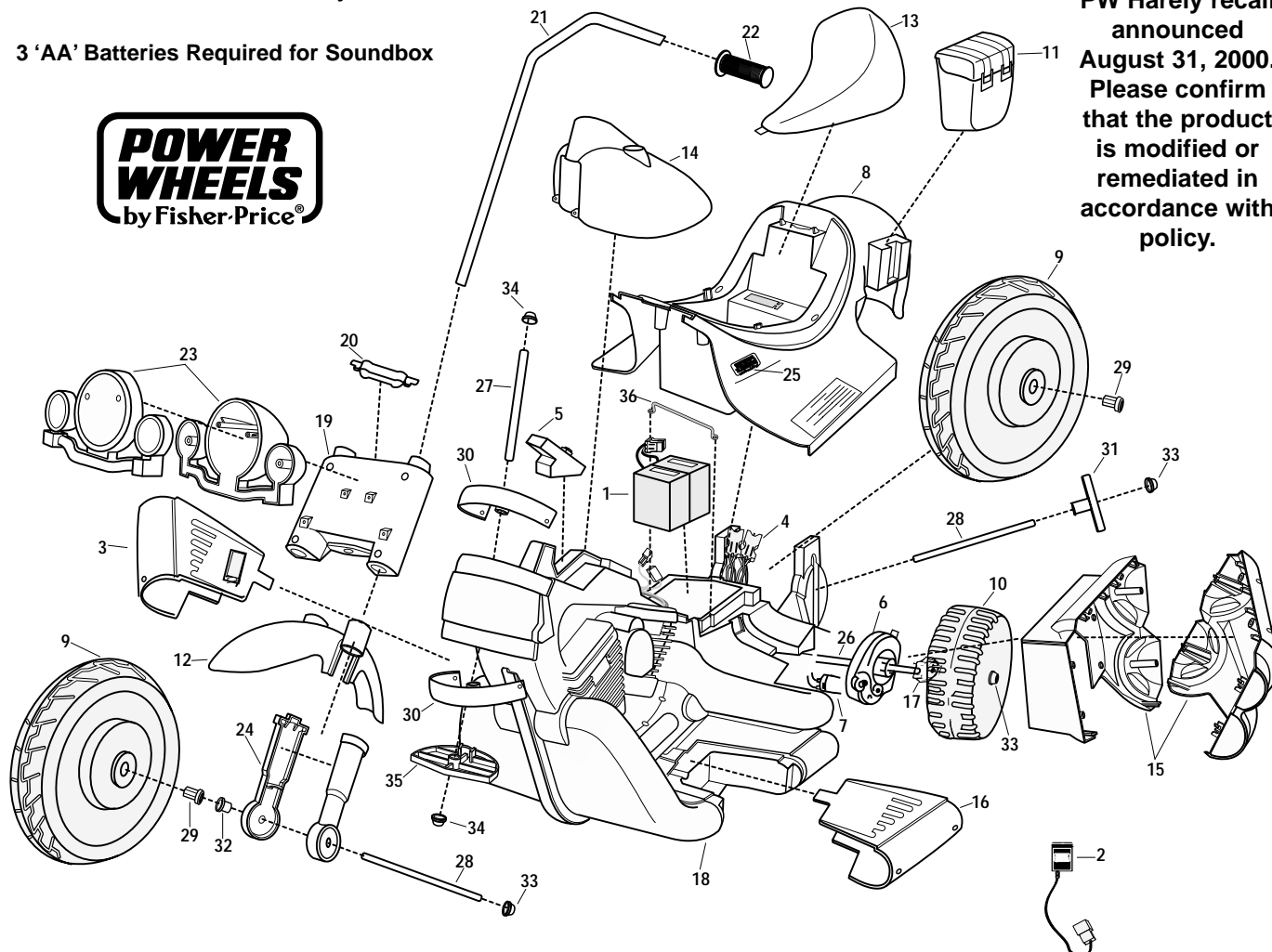
Age Range: 3-7 Yrs.
 Weight Limit: 65 Lbs.
 Surfaces: Hard & Grass
 Speed: 2.5 / 3.5 MPH Forward
 Colors: Black Body
 Chrome Detail
 Intro: 9-24-99 U.S.
 Suggested Retail: \$699.99
 Box Dimensions: 40" x 20" x 25"
 35 Lbs.
 Warranty: One Year Vehicle
 6 Months Battery

74298-9993 Limited Edition Harley Davidson® Motorcycle

Harley Dealerships & FAO Schwartz
 Advanced Series Non H.E. 12 Volt

This product is affected by the PW Harely recall announced August 31, 2000. Please confirm that the product is modified or remediated in accordance with policy.

3 'AA' Batteries Required for Soundbox



Item No.	Description	Part No.	Qty.	Item No.	Description	Part No.	Qty.	Item No.	Description	Part No.	Qty.				
Working / Electrical Parts															
1	6 Volt Battery	00801-0712	1	14	Gas Tank	74298-214A	1	30	Bushing (steering)	74298-2359	2				
2	12 V Charger	00801-0804	1	15	Exhaust Set (chrome)	74298-9169	1	31	Bushing (axle / chrome)	74298-2379	2				
3	Footboard Assembly (chrome)	74298-9239	1	16	Footboard / Left (chrome)	74298-6249	1	32	Bushing (round / black)	74550-2689	1				
4	Wiring Harness Assembly	74290-9799	1	17	Driver	73233-2239	2	33	.437 Cap Nut	0801-0226	6				
5	Soundbox	74290-9559	1	18	Frame Set (chrome)	74298-6219	1	34	.345 Cap Nut	0802-0215	3				
6	#7 Motor Gearbox Assm.	74290-9509	2	19	Fork (upper)	74298-2349	1	35	Steering Stop	74298-2369	1				
7	Motor w/Pinion	74290-9539	2	20	Fork Cover (chrome)	74298-6389	1	36	Battery Retainer	74290-4419	1				
Plastic / Other Parts															
8	Body (N/A)	74298-210A	1	21	Handlebar Set (chrome)	74298-9029	1	Parts Not Shown							
9	Large Wheel	74290-2159	2	22	Handgrip	74290-2399	2		Main Decal Sheet	74298-0310	1				
10	Drive Wheel (small)	74290-2269	2	23	Headlight Assembly (chrome)	74298-9289	1		Small Chrome Decals (tank/fender)	74298-6019	1				
11	Saddle Bag	74290-2129	2	24	Shock Set (4 pcs.) (chrome)	74298-9329	1		Bubble Decal (single frame label)	74298-0320	1				
12	Fender	74298-213A	1	25	PW Emblem (chrome)	74298-9069	2		Literature Bag	74298-9019	1				
13	Seat	74290-2309	1	Hardware / Metal Parts											
Hardware / Metal Parts															
				26	Axle (drive wheel)	74290-4509	1		Owner's Manual	74298-0920	1				
				27	Axle (fork)	74290-4529	1		Small Parts Bag	74298-9259	1				
				28	Axle (wheel)	74290-4519	2		Hardware Bag	74290-9279	1				
				29	Bushing (hex)	73233-2559	2		Large Parts Bag (N/A)	74298-9249	1				
									Gearbox W/Out Motor	74290-9519	1				

N/A = Not Available

Items in **bold & underlined** print are only to be ordered by a service center.