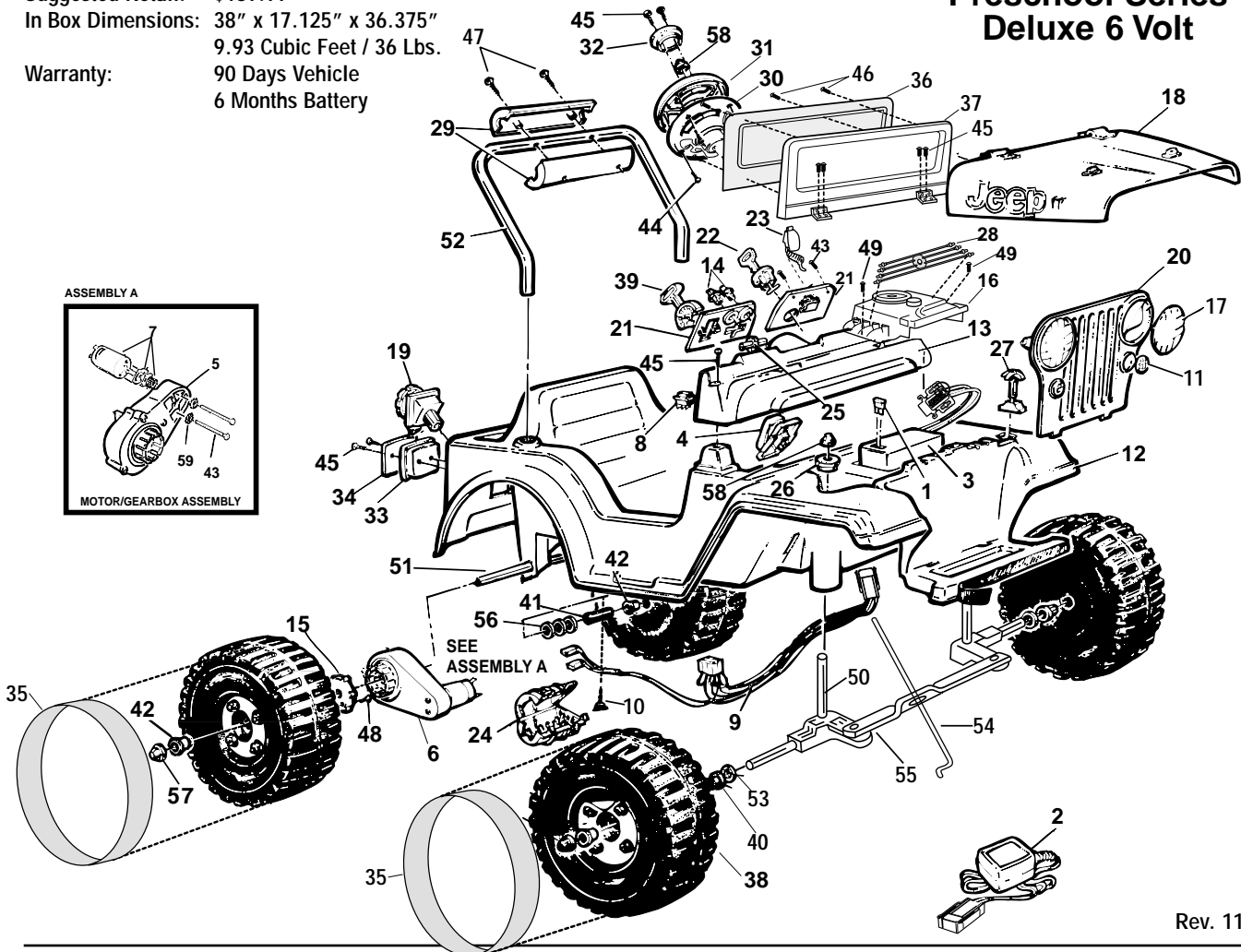


Age Range: 1-1/2 to 4 Yrs.
 Weight Limit: 50 Lbs.
 Surfaces: Hard
 Speed: 2.5 MPH Forward & Reverse
 Colors: Hot Pink Body
 Intro: 12-14-98
 Suggested Retail: \$139.99
 In Box Dimensions: 38" x 17.125" x 36.375"
 9.93 Cubic Feet / 36 Lbs.
 Warranty: 90 Days Vehicle
 6 Months Battery

74350-9993 Barbie® Splash

Preschool Series
Deluxe 6 Volt



Rev. 11-14-01 Pav

| Item No. | Description | Part No. | Qty. | Item No. | Description | Part No. | Qty. | Item No. | Description | Part No. | Qty. | | | | |
|-----------------------------------|----------------------------------|-------------------|------|-------------------------------|-----------------------|------------------|----------|------------------------|----------------------|------------------|----------|--|--|--|--|
| Working / Electrical Parts | | | | | | | | | | | | | | | |
| 1 | 25 Amp Fuse | 0801-0151 | 1 | 25 | Radio Dial | 74771-2719 | 2 | 50 | Front Axle | 73241-4509 | 2 | | | | |
| 2 | 6 Volt Charger | 0801-0243 | 1 | 26 | Front Post Bushing | 74770-2669 | 2 | 51 | Rear Axle | 76135-4509 | 1 | | | | |
| 3 | 6 Volt Battery | 0801-0339 | 1 | 27 | Hoodlatch Assy. | 74350-9039 | 2 | 52 | Sports Bar | 74760-4219 | 1 | | | | |
| 4 | Footboard Assembly | 74780-9159 | 1 | 28 | Spark Plug Wire Set | 78480-2129 | 1 | 53 | 5/16" Washer | 0801-0253 | 2 | | | | |
| 5 | 3A Gearbox w/Insert | 74580-9269 | 1 | 29 | Sports Bar Cover Set | 74350-9179 | 1 | 54 | Steering Column | 74780-4239 | 1 | | | | |
| 6 | Motor Gearbox Assm | 74780-9502 | 1 | 30 | Steering Wheel Base | 74350-2739 | 1 | 55 | Steering Linkage | 76181-4229 | 1 | | | | |
| 7 | Motor w/Pinion | 74590-9539 | 1 | 31 | Steering Wheel Cover | 74350-2719 | 1 | 56 | 7/16" Washer | 0801-0195 | 3 | | | | |
| 8 | Control Switch | 0801-0148 | 1 | 32 | Steering Wheel Cap | 74350-2729 | 1 | 57 | .437 Cap Nut (White) | 0801-0227 | 2 | | | | |
| 9 | Wiring Harness | 74780-9799 | 1 | 33 | Tail Light Housing | 74350-2759 | 1 | 58 | .354 Cap Nut (White) | 0801-0548 | 4 | | | | |
| Plastic Parts / Other | | | | | | | | | | | | | | | |
| 10 | Harness Fastener | 0801-0311 | 1 | 34 | Tail Light Lens Set | 73233-2279 | 1 | 59 | Star Washer | 0801-0330 | 2 | | | | |
| 11 | Turn Signal Lens | 74770-2349 | 2 | 35 | Traction Band Set | 74760-2249 | 1 | Parts Not Shown | | | | | | | |
| 12 | Body (N/A) | 74780-2309 | 1 | 36 | Windshield | 74780-2349 | 1 | Large Parts Bag | 74350-9249 | 1 | | | | | |
| 13 | Dash | 74780-2329 | 1 | 37 | Windshield Frame | 74780-2339 | 1 | Small Parts Bag | 74350-9259 | 1 | | | | | |
| 14 | Dash / Radio Knob | 74550-2719 | 2 | 38 | Wheel | 74760-2459 | 4 | Hardware Bag | 74350-9259A | 1 | | | | | |
| 15 | Driver | 73233-2239 | 1 | 39 | Shifter | 74550-2229 | 1 | Literature Bag | 74350-9019 | 1 | | | | | |
| 16 | False Motor | 74780-2379 | 1 | Hardware / Metal Parts | | | | | | | | | | | |
| 17 | Headlight Lens | 74547-2279 | 2 | 40 | Round (wheel) Bushing | 74770-2539 | 4 | Owner's Manual | 74350-0920 | 1 | | | | | |
| 18 | Hood | 74780-2119 | 1 | 41 | Rear Axle Spacer | 76136-4419 | 1 | Main Decal Sheet | 74350-0310 | 1 | | | | | |
| 19 | Gas Cap | 74350-9059 | 1 | 42 | Axle Bushing | 74550-2689 | 3 | Glittery Decals | 74350-0330 | 1 | | | | | |
| 20 | Grille | 74350-2149 | 1 | 43 | Motor Bolts | 0801-0269 | 2 | Dash Decals | 74350-0320 | 1 | | | | | |
| 21 | Dash Panel Set (incl both sides) | 74780-2699 | 1 | 44 | #6 x 1/2" Screw | 0801-0222 | 11 | Footswitch | | 1 | | | | | |
| 22 | Key Assembly | 78490-9369 | 1 | 45 | #8 x 1" Screw (Black) | 0801-0224 | 12 | | | | | | | | |
| 23 | Microphone | 74780-9489 | 1 | 46 | #8 x 1/2" Screw | 0801-0202 | 5 | | | | | | | | |
| 24 | Motor Cover | 74750-2359 | 1 | 47 | #6 x 1-1/2" Screw | 0801-0221 | 2 | | | | | | | | |
| | | | | 48 | #10 x 1/2" Screw | 0801-0255 | 1 | | | | | | | | |
| | | | | 49 | #8 x 18 x 1" Fastener | 0801-0273 | 2 | | | | | | | | |

N/A = Not Available

Bolded and underlined parts are for service center orders only.

