



74440-9993 Jeep® Wrangler

Advanced Series
12-VOLT

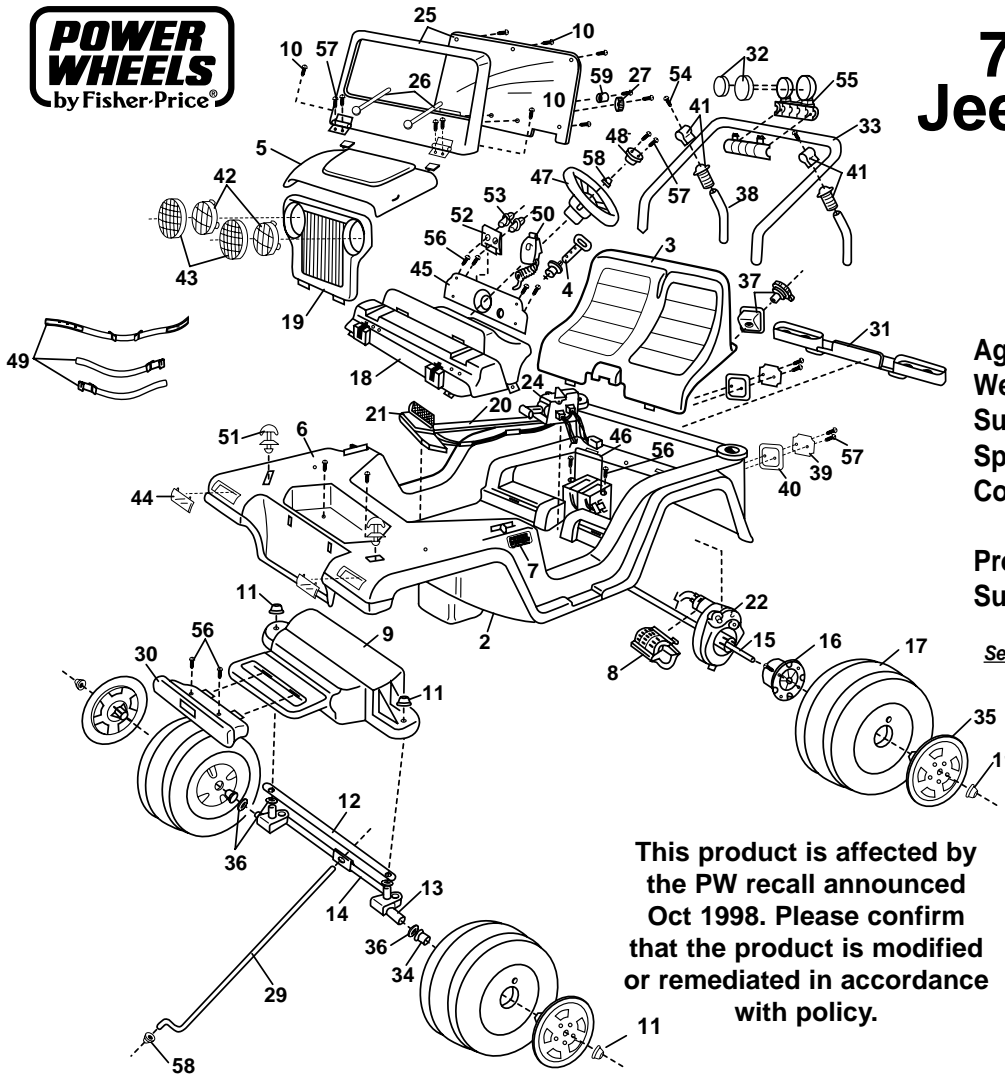
Age Range: 3 - 7 Years
Weight Limit: 130 lbs.
Surfaces: Hard, Grass, Hills
Speed: 2.5 / 5 MPH
Colors: Red Body
Black Trim
Produced 4/96 - 12/12/97
Suggested Retail: \$199.99

Service Merchandise Version: 1-17-98 to 4-4-98
See Service Bulletin 155

Service Bulletin 146
Service Bulletin 148
Service Bulletin 155

This product is affected by the PW recall announced Oct 1998. Please confirm that the product is modified or remediated in accordance with policy.

Rev. 11/20/01 Pav



Item No.	Description	Part No.	Qty	Item Part	No. Item	Description	No. Part	Qty.			
1	Battery	0801-0431	2	28	Screw (Actuator)	0801-0216	2	53	Dash Knob	74550-2719	2
2	Body	74440-2109	1	29	Steering Column	74440-4239	1	54	*#6 x 1-1/2" Screw	0801-0221	4
3	*Seat	74440-2319	1	30	Front Bumper	73233-2519	1	55	*KCTM Light Rack	74450-2049	1
4	Key/Housing Assembly	74550-2439	1	31	Rear Bumper	74440-2039	1	56	#8 x 3/4" Screw	0801-0223	8
5	Hood	74440-2859A	1	32	*KCTM Light Cover	74460-2169	2	57	*#8 x 1" Screw	0801-0224	10
6	5/16" x 3-1/2" Hex Bolt	0801-0192	2	33	*Sport Bar	74450-9219	1	58	.354 Cap Nut (Black)	0801-0215	3
7	PW Emblem	74540-9069	2	34	Axle Bushing	74550-2689	2	59	Cap	73233-2619	1
8	Motor Cover	74750-2359	2	35	Hubcap	74440-2579	4	PARTS NOT SHOWN			
9	Front Module	74440-2119	1	36	7/16" Washer	0801-0196	4		*Decal Main Sheet	74440-0370	1
10	Screw (Frame) #8 x 1/2"	0801-0202	5	37	Gas Cap/Flange Assembly	74440-9089	1		Literature Bag (N/A)		
11	.437 Cap Nut (Black)	0801-0214	6	38	Sport Bar Support	74440-4229	2		sub to owner's manual	78490-0920	1
12	Cross Bar	74460-4419	1	39	Taillight Lens Set	73233-2279	1		#10 x 1" Screw (in dash)	0801-0220	4
13	Front Axle	74440-4509	2	40	Taillight Housing Set	73233-2759	1		Large Parts Bag #1	74440-9249	1
14	Axle Linkage Assy.	74440-9419A	1	41	**Sport Bar Bracket/Swivel Set		1		Large Parts Bag #2	74440-9279	1
15	Rear Axle	74440-4519	1		subs to 78490-2179 and 78490-2229		1		12v Charger	0801-0225	1
16	Wheel Driver	74460-2249	2	42	*Headlight Lens	74440-2879	2		**Small Parts Bag	74440-9259A	1
17	Wheel	74440-2459	4		(changed from clear to blue 8-3-97)				Twist-Lock Fastener	0801-0197	2
18	Dash	74440-2689	1	43	*Headlight Lens Guard	74460-2339	2		Lock Fastener	78570-2239	1
19	Grille	74440-2849	1	44	Turn Signal Lens	74440-2349	2		Motor W/ Pinion	74440-9579	2
20	Channel Cover	74440-2289	1	45	*** Dash Plate	74440-2679	1		#7 Gearbox w/o Motor (Blk)	74440-9529	2
21	Footboard Assembly	74440-9829	1	46	Battery Retainer	74440-4019	1		Fuse 30 Amp	0801-0229	3
22	#7 Gearbox w/Motor	74440-9619	2	47	**Steering Wheel	74440-2379	1		Use & Care Manual (N/A)	74440-0320B	1
23	Harness Assembly	74440-9799	1	48	Steering Wheel Button	74550-2729	1		1/4"x1-1/2" Roll Bar Screws	0801-0467	2
24	see note below/Shifter Assy (Silver)	74440-9139	1	49	*Seatbelt Set	74460-5339	1		Motor Bolts	0801-0269	2
25	Windshield Assembly	74440-9769	1	50	Mic w/Cord	73233-9479	1				
26	Wiper	73248-2769	2	51	Hood Latch	74440-9559	2				
27	Wiper Knobs	73233-2449	1	52	Knob Bezel	74440-2719	1				

* See Service Bulletin 148 **Note:** When ordering the shifter, please also send out **Bold and underlined parts are for Service Center orders only**
 ** See Service Bulletin 155 (1) lock out screw 0801-0254 and
 *** See Service Bulletin 146 (1) supplemental instructions 78490-0929.