

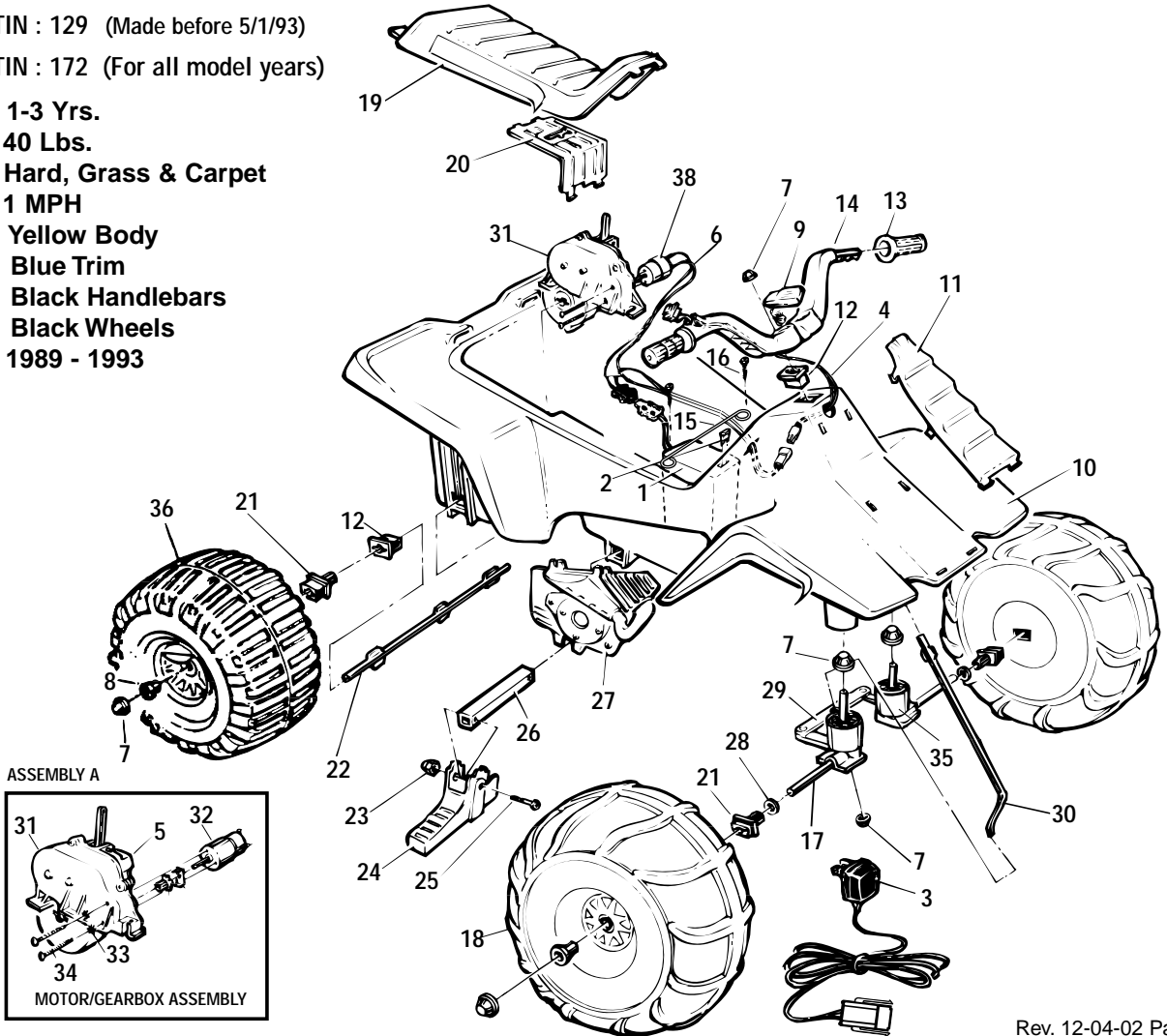


74504-9993 / 83500 Lil Suzuki®

TYPE H 6 VOLT

SERVICE BULLETIN : 129 (Made before 5/1/93)
SERVICE BULLETIN : 172 (For all model years)

Age Range: 1-3 Yrs.
Weight Limit: 40 Lbs.
Surfaces: Hard, Grass & Carpet
Speed: 1 MPH
Colors: Yellow Body
Blue Trim
Black Handlebars
Black Wheels
Available 1989 - 1993



Rev. 12-04-02 Pav

Item No.	Description	Part No.	Qty.	Item No.	Description	Part No.	Qty.	Item No.	Description	Part No.	Qty.
1	**Battery 6 Volt Type H	0801-0336	1	16	#8 x 7/8" Trusshead Screw	0801-0228	2	31	#5 Gearbox Only	72629-9259	1
2	25 Amp Fuse Kit	0801-0447	1	17	* Front Axle	74504-4509	2	32	Motor w/Pinion	74590-9539	1
3	**6-Volt Charger (Type H)	00801-0976	1	18	Front Wheel	73237-2469	2	33	Star Washer	0801-0330	2
4	Switch Assembly	78560-2799	1	19	Seat	80067-0037	1	34	Motor Bolt	0801-0269	2
5	#5 Motor/Gearbox Assy	74504-9519	1	20	Motor/Gearbox Cover	74504-2489	1	35	Front Post Bushing	80009-0028	2
6	**Wiring Harness (Main) (N/A) 74504-9059		1	21	* Bushing w/Long Extension	78560-2659	4	36	*** Wheel Rear	73237-2459	2
7	.354 Cap Nut	0801-0251	8	22	Rear Axle	74504-4539	1	PARTS NOT SHOWN			
8	Wheel Bushing	78560-2679	4	23	Acorn Nut	0801-0218	2	Literature Bag	80034-0542	1	
9	Microphone	74550-9479	1	24	Footpeg	77440-2159	2	Owner's Manual	74504-CCCC	1	
10	Body N/A	77440-2109	1	25	1-1/4" Shoulder Bolt	0801-0304	2	Decal Sheet	73569-0310	1	
11	Grill	80065-0032	1	26	Footpeg Support	76940-2179	1	Large Parts Bag	74504-9249	1	
12	* Bushing w/o Extension	74504-2549	3	27	False Motor Set	80021-0027	1	Small Parts Bag	80044-0448	1	
13	Handgrips	74504-2219	2	28	5/16" Washer	0801-0253	2				
14	Handlebar	76940-2139	1	29	Steering Linkage	74504-4219	1				
15	Battery Retainer	74504-4429	1	30	* Steering Column	80054-0046	1				

* See Service Bulletin 129

N/A = Not Available

**Original harness N/A. Can substitute: harness 73560-9799 + 4 Amp battery 0801-0336 + 4 Amp charger 0801-0247.

*** If made prior to 9-12-89, please send 2 rear wheels. Items in **bold & underlined** print are only to be ordered by a service center.