

# SERVICE BULLETIN 140

for (\*) parts made on or before 9-20-94

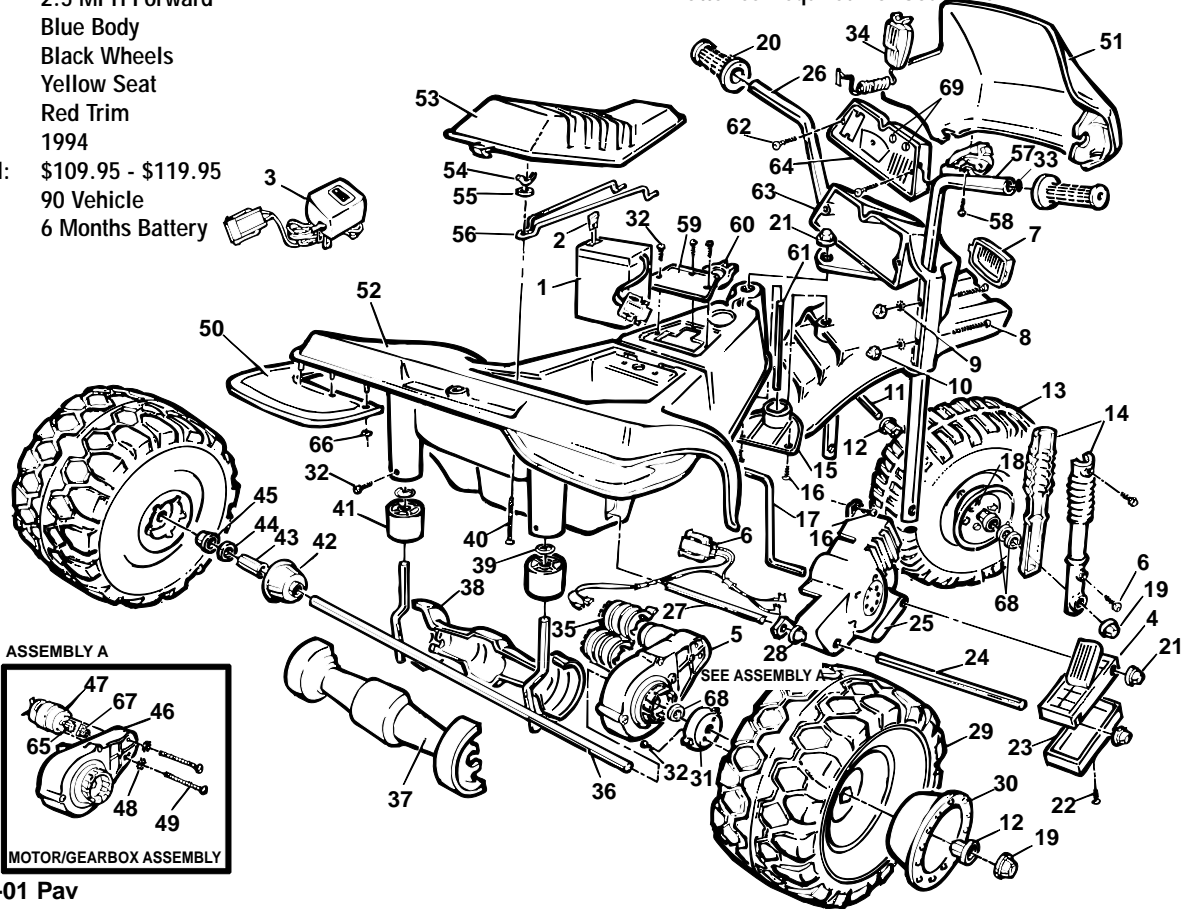
# 74530-9993 / 84530 CYCLE SOUND RAIDER™ 550

6 VOLT

Age Range: 1-1/2 - 6 Yrs,  
Weight Limit: 50 Lbs.  
Surfaces: Hard  
Speed: 2.5 MPH Forward  
Colors: Blue Body  
Black Wheels  
Yellow Seat  
Red Trim

Intro: 1994  
Suggested Retail: \$109.95 - \$119.95  
Warranty: 90 Vehicle  
6 Months Battery

2 AA Batteries Required For Sound Box



Rev. 12-21-01 Pav

Item No.	Description	Part No.	Qty.	Item No.	Description	Part No.	Qty.	Item No.	Description	Part No.	Qty.
1	Battery, Type H	0801-0339	1	28	.250 Retainer	0801-0322	2	54	Wing Nut	0801-0317	1
2	25 amp Fuse Kit	0801-0151	1	29	Rear Wheel	78570-2469	2	55	#10 Washer	76822-4409	1
3	Charger - 6 Volt	0801-0243	1	30	Rear Hubcap	74590-2579	2	56	Battery Retainer	76112-4419	1
4	Footboard Assy.	76108-9159	1	31	Wheel Driver	73233-2239	1	57	*Right Handlebar	76115-4259	1
5	3B Motor/Gearbox Assy	74530-9519	1	32	#10 x 1/2" Screw	0801-0255	6	58	#8 x 3/4" Plascrow	0801-0223	5
6	<b>Wiring Harness</b>	<b>76112-9799</b>	<b>1</b>	33	Handlebar Cap Plugs	74510-2169	4	59	Switch Plate	76115-2349	1
7	Headlight Lens	76112-2129	1	34	Microphone/Cord	74550-9479	1	60	Gas Cap	76115-2249	1
8	1-1/4" 10-32 Screw	76125-4459	4	35	Motor Cover	76803-2489	1	61	Pivot Pin	76108-4429	1
9	<b>Star Washer</b>	<b>76108-4419</b>	<b>4</b>	36	*Rear Axle Assembly (includes 39 & 41)	76115-4549	1	62	#8 x 1-1/2" Screw	0801-0308	2
10	Acorn Nut	0801-0218	4	37	Axle Cover (Outside)	76115-2169	1	63	*Fender/Headlight	74530-9289	1
11	* Front Axle	76115-4509	1	38	Axle Cover (Inside)	76115-2159	1	64	Sound Box / Trigger	76115-9459	1
12	Hex Bushing	73233-2559	4	39	Retainer .354 w/o Body	0801-0252	2	65	D Lock Washer	0801-0329	1
13	Front Wheel	76266-2459	1	40	Carriage Bolt	0801-0305	1	66	Retainer w/o Body	78480-2249	8
14	Shock Set	76115-2339	2	41	Post Bushing	76092-2549	2	67	Motor Drive Gear	74550-2269	1
15	* Flex Plate Base	76115-2259	1	42	Hubcap w/o Shoulder	76108-2369	1	68	1/4" Plastic Washer	73233-2369	5
16	#8 x 1/2" Plascrow	0801-0202	5	43	Long Spacer	76112-2139	1	69	Radio Knobs	76115-2189	2
17	False Motor Support (N/A)	80021-0074	1	44	Washer 7/16"	0801-0196	1	<b>PARTS NOT SHOWN</b>			
18	Front Hubcap (White)	73233-2579	2	45	Wheel Bushing	74550-2689	1	Decal Sheet	74530-0310	1	
19	.437 Cap Nut (Black)	0801-0214	4	46	<b>3B Gearbox</b>	<b>74550-9279</b>	<b>1</b>	Left False Motor (N/A)	76115-2149	1	
20	Handgrip	76115-2179	2	47	<b>6V Motor</b>	<b>74510-0640</b>	<b>1</b>	Left Footrest	76108-2179	1	
21	.354 Cap Nut (Black)	0801-0215	6	48	<b>Star Washers</b>	<b>0801-0330</b>	<b>2</b>	Literature Bag (N/A)	74530-9019	1	
22	#8 x 2" Screw	0801-0268	1	49	<b>Motor Bolt</b>	<b>0801-0269</b>	<b>2</b>	Flex Plate Cover	78570-2139	1	
23	Footboard Cover	76108-2169	1	50	Mudflap Set (Yellow)	74590-2219	1	Use & Care Manual	74530-CCCC	1	
24	Support Rod (Rear Footrest) (N/A)	76108-4439	1	51	Windshield (N/A)	74525-2249	1				
25	Right False Motor	76115-2139	1	52	Body (N/A)	74530-2109	1				
26	* Left Handlebar	76115-4249	1	53	Seat (Yellow)	76115-2819	1				
27	Support Rod (Rear Motor) (N/A)	76108-2129	1								

\*See Service Bulletin

