

Age Range: 1-1/2 TO 6 Yrs.  
 Weight Limit: 50 Lbs.  
 Surfaces: Hard  
 Intro: 1994  
 Warranty: 90 Days Vehicle  
 6 Months Battery

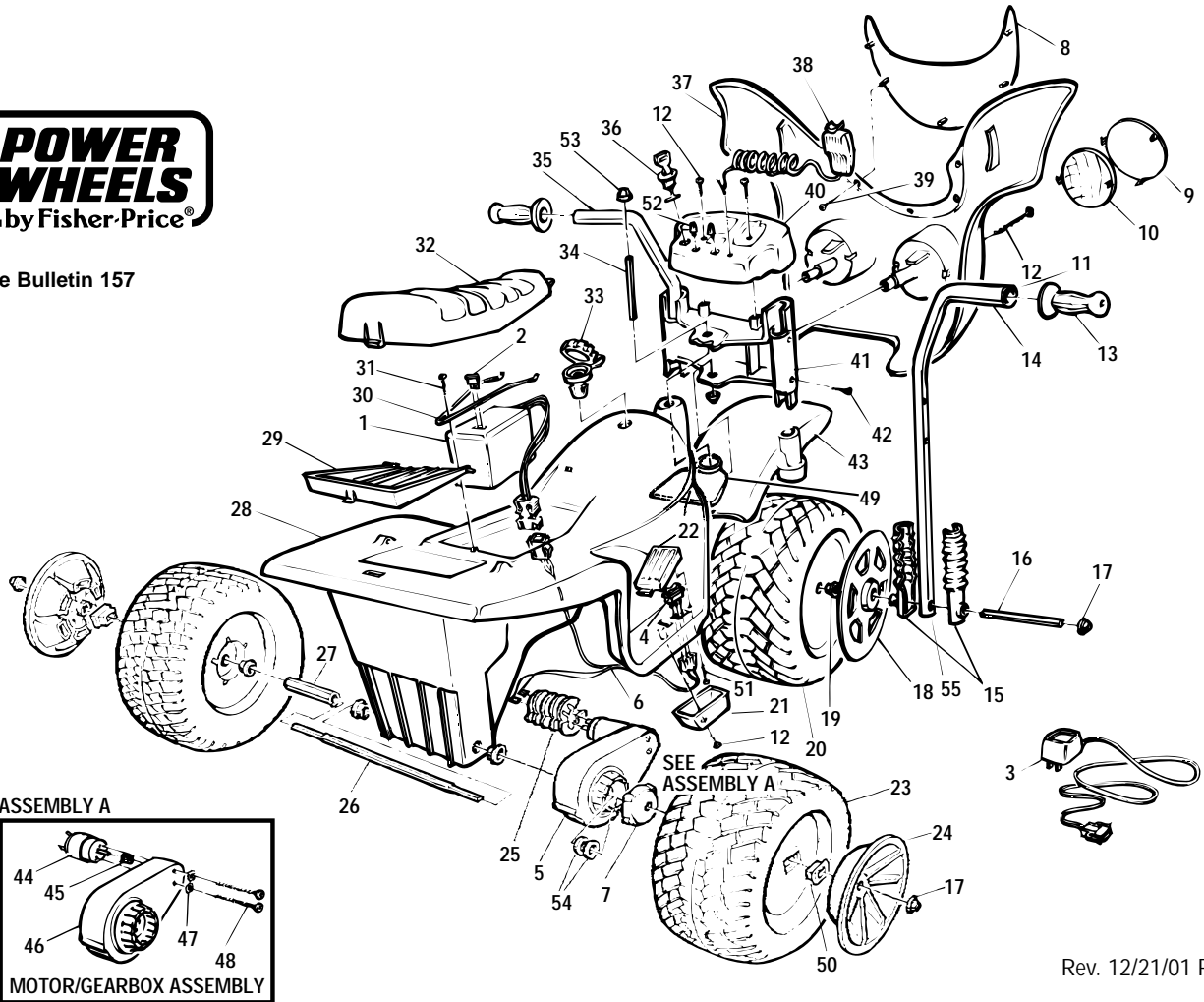
# 74537-9993 / 84820

## Hawk

6 Volt



Service Bulletin 157



Rev. 12/21/01 Pav

Item No.	Description	Part No.	Qty.	Item No.	Description	Part No.	Qty.	Item No.	Description	Part No.	Qty.
1	Battery	0801-0339	1	23	Rear Wheel	74510-2469	2	45	Drive Gear	74550-2269	1
2	25 Amp Fuse Kit	0801-0151	1	24	Rear Hubcap	74537-2589	2	46	<b>Gearbox</b>	<b>74580-9269</b>	1
3	Charger	0801-0243	1	25	Motor Cover	76803-2489	1	47	<b>Star Washer</b>	<b>0801-0330</b>	2
4	<b>*Foot Switch</b>	<b>75527-2709</b>	1	26	Rear Axle	74510-4549	1	48	<b>Motor Bolt</b>	<b>0801-0269</b>	2
5	3A Motor Gearbox Assy	74780-9509	1	27	Axle Spacer Tube	74510-4449	1	49	Flex Plate	74510-2159	1
6	<b>Harness</b>	<b>77410-9799</b>	1	28	Body (N/A)	80005-0286	1	50	Rectangular Wheel		
7	Driver	77410-2239	1	29	Trunk Lid (Sub)	74517-2329	1		Bushing	77410-2679	2
8	Windshield	74510-2179	1	30	Battery Retainer	74510-4439	1	51	1" Screw	0801-0273	1
9	Outer Lens Set	74510-9159	1	31	8 x 7/8" Trusshead Screw	0801-0228	1	52	Radio Knobs	76115-2189	2
10	Headlight Lens	76871-2279	2	32	Seat	74537-2139	1	53	.354 Cap Nut	0801-0215	2
11	Handlebar Plugs	74510-2169	4	33	Gas Cap	74537-2249	1	54	7/16" Washer	0801-0196	2
12	1-1/2" Screw	0801-0308	5	34	Pivot Pin	74510-4429	1	55	Handlebar Plugs	74510-2169	4
13	Handgrip	73560-2129	1	35	Handlebar Left	74510-4239	1	<b>PARTS NOT SHOWN</b>			
14	Handlebar (Right)	74510-4219	1	36	Key Housing	74550-2439	1	#6 - 20 x 1" Screw for Swivel Bracket	0801-0254	1	
15	Shock Set	78542-2089	2	37	Windscreen	80063-0112	1	Screw for Flex Plate	0801-0216	2	
16	Front Axle	74510-4519	1	38	Microphone	74770-9479	1	Literature Bag	80034-0583	1	
17	.437 Cap Nut	0801-0214	4	39	3/8" Screw	0801-0219	2	Adhesive Clip	0801-0313	1	
18	Front Hubcap (Sub White)	78542-2579	2	40	Dash (Sub White)	78542-2699	1	Decal Sheet (Sub ZX-7)	78410-0330	1	
19	Wheel Spacer	74550-2689	5	41	Swivel Bracket	74510-2129	4	Paper Decal (Sub ZX-7)	78410-0320	1	
20	Front Wheel	74510-2459	1	42	3/4" Screw	0801-0223	1				
21	Footboard Cover	77410-2159	1	43	Fender (Sub Blue)	78410-2249	1				
22	Foot Pedal w/Spring Clip	78560-9159	1	44	<b>Motor w/Pinion</b>	<b>74590-9539</b>	1				

N/A = Not Available \* Please See Service Bulletin 157 **Bold and underlined parts are for Service Center orders only.**