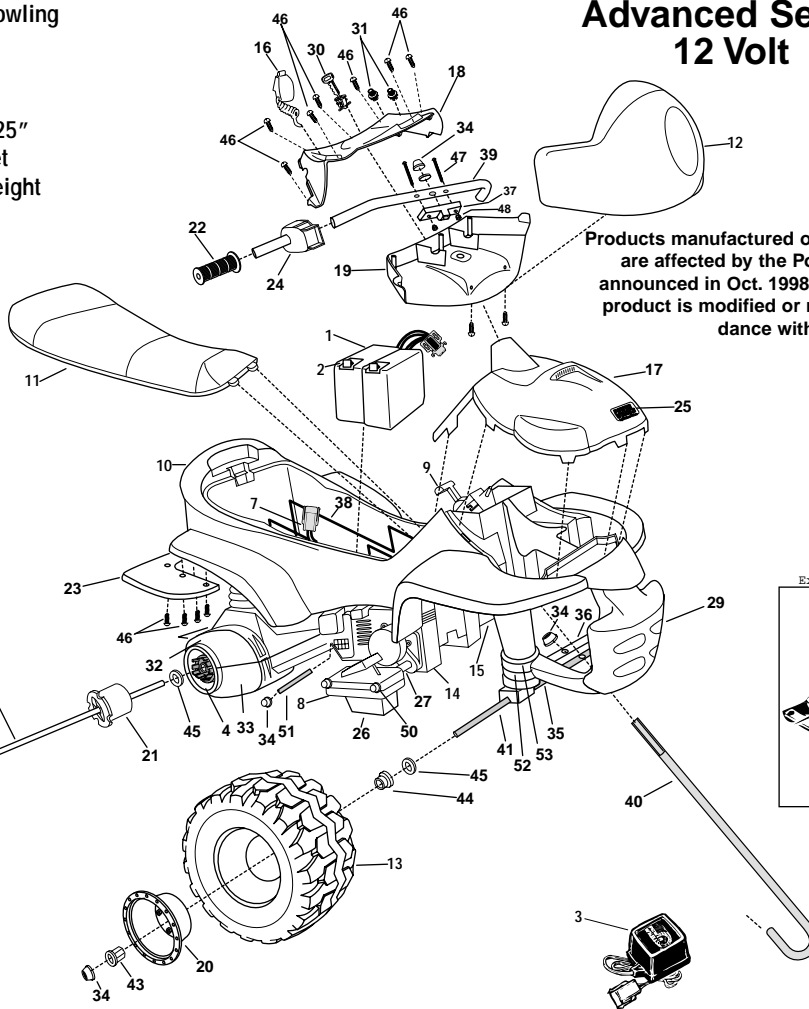
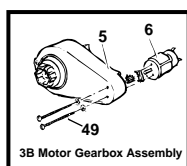


Age Range: 3-7 Yrs.  
 Weight Limit: 65 Lbs.  
 Surfaces: Hard, Grass & Hills  
 Speed: 2.5 & 5.0 MPH Forward  
 2.5 MPH Reverse  
 Colors: Black Body & Wheels  
 Green Seat & Cowling  
 Yellow Trim  
 Intro: 12-14-98  
 Suggested Retail: \$179.99  
 Box Dimensions: 40.25" x 19" x 25"  
 11.12 Cubic Feet  
 51 Lbs. Ship Weight

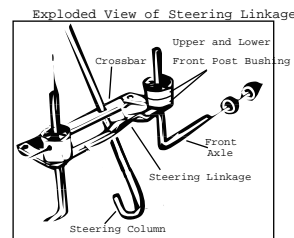
# 74110-9993 Kawasaki® Ninja®

## Advanced Series 12 Volt

Service bulletin 160  
 Service bulletin 162



Products manufactured on or prior to 2/15/1999 are affected by the Power Wheels recall announced in Oct. 1998. Please confirm that product is modified or remediated in accordance with policy



Rev. 12-04-02 Pav

Item No.	Description	Part No.	Qty.	Item No.	Description	Part No.	Qty.	Item No.	Description	Part No.	Qty.
<b>Working / Electrical Parts</b>											
1	* Battery	00801-0712	2	20	Hubcap	74110-2579	4	46	#8 x 3/4" Phillips Screw	0801-0223	19
2	Thermal Fuse	00801-0711	2	21	Driver (10 Rib)	74460-2249	2	47	#10 x 1-1/2" Phillips Screw	76222-4459	2
3	* †12V Charger	0801-0804	1	22	Handgrip Set	74110-9229	1	48	#10 Nylock Lock Nut	0801-0318	2
4	<b>3B Motor Gearbox Assembly</b>	<b>74110-9519</b>	2	23	Mud Flap Set	74110-9289	1	49	<b>Motor Bolts</b>	<b>0801-0269</b>	2
5	<b>Gearbox W/out Motor</b>	<b>74550-9279</b>	2	24	Sound Box Assembly	74750-9449	1	50	.354 Cap Nut (black)	0801-0215	4
6	<b>Motor Pinion Assembly</b>	<b>74110-9539</b>	2	25	PW Emblem	74460-9069	1	51	Motor Rod Lower	74110-4569	1
7	<b>Wiring Harness: Motor</b>	<b>74110-9799</b>	1	26	Footboard / Lower	74110-2179	1	52	Front Post Bushing Lower	74110-2639	2
	<b>* Wiring Harness: Shifter</b>	<b>74110-9889</b>	1	27	Footboard Support	76262-4439	2	53	Front Post Bushing Upper	74110-2129	2
8	Footboard Assembly	74110-9169	1	28	Footrest (not shown)	74110-2189	1	<b>Parts Not Shown</b>			
9	<b>Shifter w/harness assembly</b>	<b>74110-9879</b>	1	29	Footrest (not shown)	74110-2079	1	Motor Housing Bottom	74110-2159	1	
	Shifter Assm.	74110-9439	1	30	Key Housing Assm.	78490-9369	1	Motor Housing Top	74110-2149	1*	
	Lock out Screw	0801-0254	1	31	Radio Knob	74510-2149	2	#8 x 3/4" Phillips Screw for housings			
<b>Hardware / Metal Parts</b>											
10	Body (N/A)	74110-9109	1	34	.437 Cap Nut - (black)	0801-0226	6	†Large Parts Bag N/A Please order parts separately			
11	Seat	74110-2309	1	35	Steering Linkage Assm.	74110-9239	1	74110-9349 1			
12	Fairing / Front	74110-274A	1	36	Crossbar	73690-4649	1	* †Small Parts Bag (no longer made)74110-9359 1			
13	Wheel	74110-2469	4	37	Powdered Metal Neck	76816-4289	1	Hardware Bag 74110-9279 1			
14	False Motor Cover / Right	74110-2059	1	38	* Battery Retainer	78490-4029	1	* †Literature Bag 74110-9029 1			
15	False Motor Cover / Left	74110-2069	1	39	Handlebar	74750-4229	1	* †Owner's Manual (N/A) 74110-0920 1			
16	Microphone	74110-9479	1	40	Steering Column	74110-4249	1	Decal Sheet 74110-0310 1			
17	Cowling Assembly	74110-9099	1	41	Front Axle	74110-4509	2	Clip Adhesive 0801-0313 1			
18	Dash - Upper	74110-275A	1	42	Rear Axle	74110-4549	1	12 Volt Remediation Kit 0801-0715 1			
19	Dash - Lower No sub.	74110-2769	1	43	Hex Bushing	73233-2559	4	<b>Shifter Switch</b> <b>0801-0923</b> 1			
				44	Axle Bushing	74550-2689	2	Capnut tool 78640-2629 1			
				45	7/16" Washer	0801-0196	6				

\* = See Service Bulletin 162 † See Service Bulletin 160 if made after 2-15-99 Items in **bold & underlined** print are only to be ordered by a service center.  
 N/A = Not Available