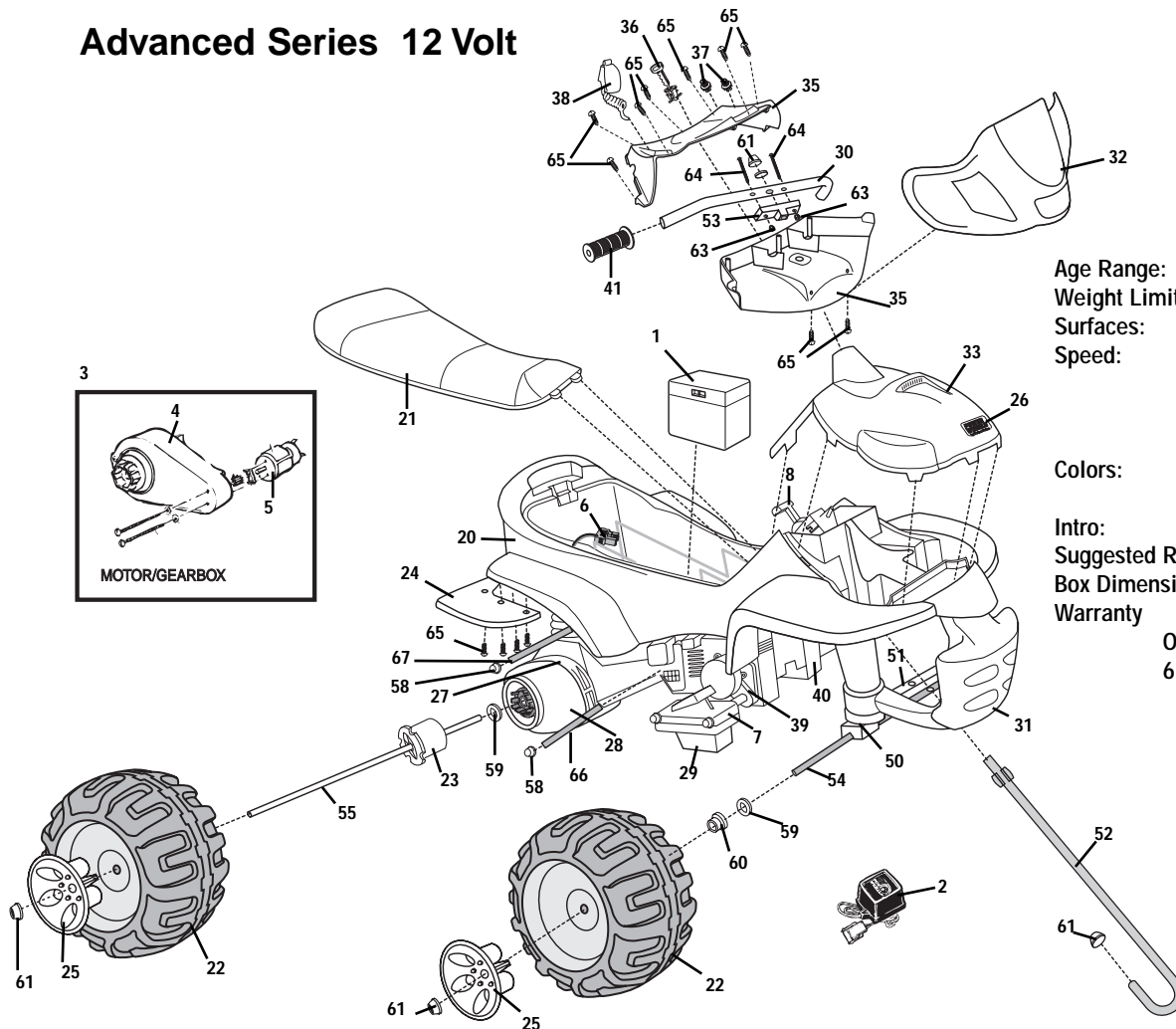


# 73690-9993

## Ninja

### Advanced Series 12 Volt



Age Range: 3 and up  
 Weight Limit:  
 Surfaces: Hard and grass  
 Speed: Forward  
 2.5 & 5.0 mph  
 Reverse  
 2.5 mph  
 Colors: Blue & Yellow  
 with Black tires  
 Intro: 2001  
 Suggested Retail: \$179.99  
 Box Dimensions: 40 x 24 x 19  
 Warranty

One Year Vehicle  
 6 Months Battery

Rev. 10-15-02 Pav

Item No.	Description	Part No.	Qty.	Item No.	Description	Part No.	Qty.	Item No.	Description	Part No.	Qty.
<b>Working / Electrical Parts</b>											
1	Battery 12 volt	00801-0638	1	35	Dash Lower	73690-2769	1	67	Motor Rod Lower N/A No sub	74110-4569	1
2	Charger 12 volt probe	00801-0972	1	36	Key Housing	74460-9369	1	<b>Parts Not Shown</b>			
3	<b>#3 Motor Gearbox Assembly</b>	<b>74110-9519</b>	2	37	Radio Knob	74510-2149	2	Large Parts Bag (molded parts)	73690-9449	1	
4	<b>#3 Gearbox W/out Motor</b>	<b>74550-9279</b>	2	38	Microphone	73690-9479	1	Small Parts Bag (purchased parts)	73690-9459	1	
5	<b>Motor Pinion Assembly</b>	<b>74110-9539</b>	2	39	False Motor Cover Right	73690-2059	1	Hardware Bag	73690-9279	1	
6	<b>Main Harness Assembly</b>	<b>74110-9799</b>	1	40	False Motor Cover Left	73690-2069	1	Owner's Manual	73690-0920	1	
7	Footboard Assembly	73690-9169	1	41	Handgrip	73690-2229	2	Decal Sheet	73690-0310	1	
8	Shifter Assembly	73690-9439	1	<b>Hardware / Metal Parts</b>							
<b>Plastic / Other Parts</b>											
20	Body	N/A		50	Steering Linkage Assembly	74110-9239	1	Capnut Tool	78640-2629	1	
21	Seat	73690-2309	1	51	Crossbar	73690-4649	1	Control Switch (rocker style)	00801-0923	1	
22	Wheel	73690-2469	4	52	Steering Column	73690-4249	1	Paper Kit	73690-Paper	1	
23	Driver	74460-2249	2	53	Metal Neck	73690-4289	1	Footrest	73690-2189	1	
24	Mud Flap Set	73690-8001	1	54	Axle Front	73690-4509	1				
25	Hubcap	73690-2579	4	55	Axle Rear	73690-4549	1				
26	PW Emblem	74460-9069	1	56	Upper Bushing	74110-2129	1				
27	Motor Housing Top	73690-2149	1	57	Lower Bushing	74110-2639	1				
28	Motor Housing Bottom	73690-2159	1	58	7/16" Round Bushing	74550-2689	4				
29	Footboard lower	73690-2179	1	59	7/16" Washer	0801-0196	5				
30	Handle Bar	73690-4229	1	60	Round Bushing	74550-2689	2				
31	Brushguard	73690-2079	1	61	.437 Capnut Black	0801-0226	4				
32	Fairing	73690-274A	1	62	.354 Retainer Black	0801-0604	?				
33	Cowling Assembly	73690-9099	1	63	#10 Nylock Lock Nut	0801-0318	2				
34	Dash Upper	73690-275A	1	64	#10 1 1/2" Phillips Screw	76222-4459	2				
				65	Screw #8 x 3/4" N/A	0405-2073	17				
				66	Motor Rod Upper	74110-4559	1				

N/A = Not Available

Items in **bold & underlined** print are only to be ordered by a service center.